

Textiles Straps (Hotmelt)

Technical and Commercial Sheet



CANEMBAL



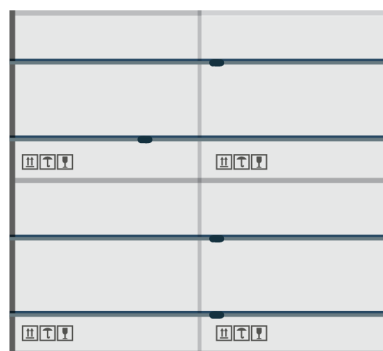
Description

A strap is a continuous tape made of different materials, such as polypropylene, polyester, etc. It is used in industry or in the transport of goods for securing loads, or in construction as a fastening element. Its materials and dimensions vary depending on its field of application.



Advantages

- Secures and stabilises the load.
- Prevents material damage during handling.
- High resistance to breakage.



Applications

The application of HOTMELT strapping can be automatic or manual. The same coil can be used in both cases.



Storage

Strapping should be protected from adverse conditions and stored indoors.



Recommendations

Hotmelt strapping is recommended for heavy loads.



Printing

One or two inks.

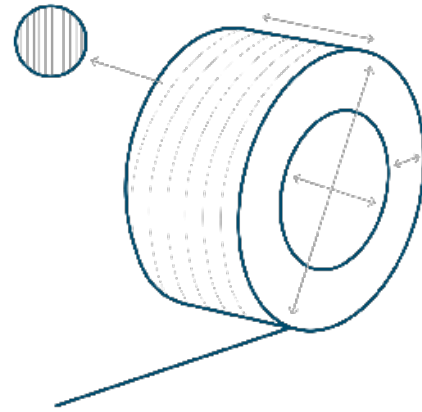


Technical Sheet

Components

High tenacity polyester fibre.
Hot melt bonded coating.

- A Thickness:0,5 mm
- B Width:9 y 13 mm
- E Elongation: 9-15 %
- D Diameter:76 mm



Colour

Logistic Data

UNITS / PALLETS

	Strap Hotmelt
Coil/ Box	4
Meters / Coil	500
Coils / Pallet	40
Meters / Pallet	20000



Moisture
resistant

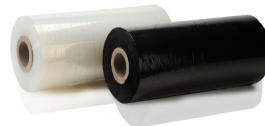


Recyclable



Customisable

Complementary Products



Corner Boards

Film

Tags