



# Special Adhesive Tapes

Technical and Sales sheet



**CANEMBAL**

FABRICANTES Y DISTRIBUIDORES  
DE PROTECCIÓN



# Special Adhesive Tapes

**PROTAPE**

Product sheet

## Description

PROTAPE - R is a transparent adhesive tape with a special or reinforced adhesive solution, stored in roll form, which is used to stick different materials together, ensuring good hold.

This category features the following tapes:

- Strapping
- Reinforced woven / unidirectional
- Gummed
- PVC
- Honey
- Ecological
- Etc.



---

## Advantages

- Adapts easily to different surfaces.
- Resistant to temperature changes.
- Increased resistance.
- Fast and long-lasting adhesion.
- Fully customisable.

---

## Applications

It is often used for palletising goods, bundling products and sealing boxes.



### Storage

The product should not be directly exposed to heat or moisture. Ideal temperature between 18 and 30 °C.



### Recommendations

To ensure good adhesion, apply on a dry and clean surface, at room temperature.



### Print

Customisable.



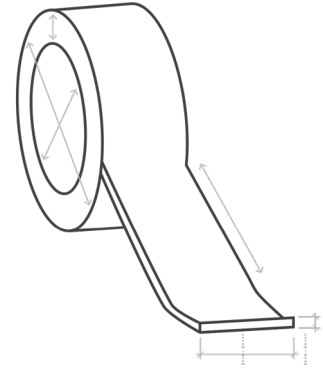
## TECHNICAL INFORMATION

The strapping tape is made of mono-oriented polypropylene (PP).

It is characterised by its high resistance and strength.

It is often used for palletising goods or bundling heavy products such as pipes or coils.

Its adhesive made of resins and synthetic rubber leaves no residue or damage when removed.



### Quality standard

UNI EN ISO 9001

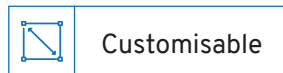
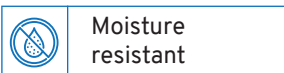
### Sizes

Width (mm): From 19 to 72.  
Lengths (m): Up to 125

\* To request any size or colour, please contact your sales representative.

## LOGISTICAL DATA

Width	Rolls / Box	Boxes / Pallet	Rolls / Pallet
19	96	84	8064
25	72	84	6048
36	48	84	4032
48	36	84	3024
72	24	84	2016



### Complementary products



Corner boards



Palletising film



Straps