



Polypropylene Straps

Technical and Commercial Sheet



CANEMBAL
FABRICANTES Y DISTRIBUIDORES
DE PROTECCIÓN



Description

A strap is a continuous tape made of different materials, such as polypropylene, polyester, etc.

It is used in industry or in the transport of goods for securing loads, or in construction as a fastening element. Its materials and dimensions vary depending on its field of application.



Advantages

- Secures and stabilises the load.
- Prevents material damage during handling.
- Easy handling, storage and transport.
- High resistance to breakage.



Applications

Polypropylene (PP) strapping can be applied manually, semi-automatically or automatically.



Storage

Strapping should be protected from adverse conditions and stored indoors.



Recommendations

Polypropylene (PP) strapping offers a good hold on all types of goods regardless of the weight of the load.



Printing

One or two inks.

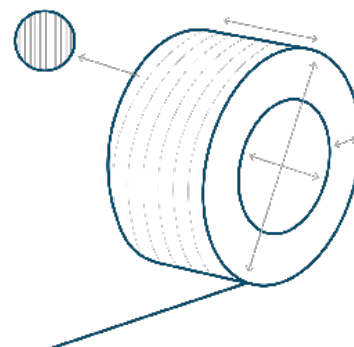


Technical sheet

Components

Material made of 100% polypropylene.
 Minimum 80% virgin from petrochemicals.
 Maximum 20% from 2nd process recycling

	Width (mm)	Thickness (mm)	Surface	Inner diameter (mm)	Elongation(%)
Manual	12, 13, 16 (+0,5/-1)	07 - 0,8 (+1/-0,03)	Moletée	150 (+2/-1)	17 (+/-3%)
Semi-automatic	5, 8, 12 (+0,5/-1)	0,5 - 0,6 - 0,7 - 0,8 (+1/-0,03)	Moletée	200 (+2/-1)	17 (+/-3%)
Automatic	12 (+0,5/-1)	0,7 - 0,8 - 0,9 (+1/-0,03)	Moletée	406 (+2/-1)	17 (+/-3%)



* For other colours, please contact your sales representative.

Quality standard

UNI IN ISO 9001

Colour



* To request any other colour, please ask your sales representative.



Manual Strap

Utilisation : machine à cercler manuelle.




Semi-automatique Strap

Utilisation : machine de cerclage semi-automatique.



Automatique Strap

Utilisation : machine de cerclage automatique

 Moisture resistant

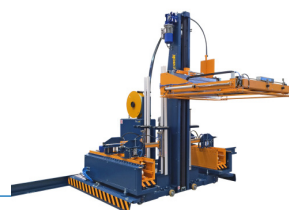
 Recyclable

 Customisable

Complementary Products



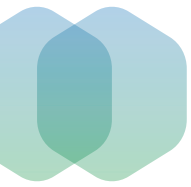
Corner boards



Strapping machines



Joints



UNITS/ PALLET

Logistical data

	Automatic PP Strapping	Semi-automatic PP Strapping	Manual Strapping
Coils / Box	-	2	2
Meters / Coil	2000 (+/-2%)	2500 (+/-2%)	1900 (+/-2%)
Coils / Pallet	52	60	108
Meters / Pallet	104.000	150.000	205.200

